

INV  
DO  
ORS

**|||obil** 

IN  
DO  
ORS

**mobil** 

# ABOUT

MOBIL3 È UN'AZIENDA CHE HA, COME PRIMA RESPONSABILITÀ LA RICERCA DELLA FIDUCIA DEI CLIENTI NEL RISPETTO DELLA CULTURA E DELL'AMBIENTE. LA SUA RISORSA PIÙ IMPORTANTE SONO LE PERSONE, LE QUALI VENGONO FORMATE E ACCRESCIUTE PER POTER SODDISFARE LE ESIGENZE ESTETICHE E DI FUNZIONALITÀ DEL CLIENTE. INSIEME A QUESTE CARATTERISTICHE MOBIL3 AFFIANCA UNA COSTANTE ATTIVITÀ DI RICERCA E INNOVAZIONE CHE LE PERMETTE DI ELABORARE LE PIÙ EFFICACI SOLUZIONI ARCHITETTONICHE. LE PERSONE, L'EVOLUZIONE E L'INNOVAZIONE SONO LA FORZA DELL'AZIENDA.

# ABOUT

MOBIL3 IS A COMPANY THAT HAS AS ITS PRIMARY RESPONSIBILITY, THE PURSUIT OF CUSTOMER TRUST, RESPECTING THE CULTURE AND THE ENVIRONMENT. ITS MOST IMPORTANT RESOURCE IS THE PEOPLE, WHICH ARE EDUCATED AND TRAINED IN ORDER TO MEET THE AESTHETIC AND FUNCTIONAL NEEDS OF THE CLIENT. WITH THESE PECULIARITY MOBIL 3 SUPPORTS A CONSTANT RESEARCH AND INNOVATION WHICH ALLOWS IT TO WORK OUT THE MOST EFFECTIVE ARCHITECTURAL SOLUTIONS. PEOPLE, EVOLUTION AND INNOVATION ARE THE STRENGTH OF THIS COMPANY.

LA PREMIÈRE RESPONSABILITÉ DE L'ENTREPRISE MOBIL3 EST D'ÉTABLIR UNE RELATION DE CONFIANCE AVEC SES CLIENTS ET CECI DANS LE RESPECT DE LA CULTURE ET DE L'ENVIRONNEMENT. SA VRAIE FORCE MOTRICE SONT LES PERSONNES, LESQUELLES SONT FORMÉES ET GRANDISSENT AFIN DE POUVOIR SATISFAIRE LA HAUTE FONCTIONNALITÉ ET LES EXIGENCES ESTHÉTIQUES DU CLIENT. EN PLUS, MOBIL3 Y ASSOCIE UNE ACTIVITÉ CONSTANTE DE RECHERCHE ET D'INNOVATION QUI LUI PERMET D'ÉLABORER LES SOLUTIONS ARCHITECTURALES LES PLUS EFFICACES. LES PERSONNES, L'ÉVOLUTION ET L'INNOVATION SONT LA FORCE DE L'ENTREPRISE.

W  
HY



**INNOVAZIONE E DESIGN**  
DESIGN AND INNOVATION  
INNOVATION ET DESIGN



**QUALITÀ E STILE**  
QUALITY AND STYLE  
QUALITÉ ET STYLE



**MADE IN ITALY**  
MADE IN ITALY  
MADE IN ITALY

W  
HY



**SOLUZIONI ESTETICHE**  
AESTHETIC SOLUTIONS  
SOLUTIONS ESTHÉTIQUES



**AMPIA GAMMA**  
WIDE CHOICE  
VASTE SÉRIE



**PASSIONE**  
PASSION  
PASSION

# IN-DEX

# IN-DEX

## 08/DESIGN



10 REAL WOOD



20 EMOTION SURFACE



26 DETTAGLI TECNICI E FINITURE  
TECHNICAL DETAILS AND FINISHES  
DÉTAILS TECHNIQUES ET FINITIONS

## 30/CONTEMPORANEO /CONTEMPORARY / CONTEMPORAINE



33 PORTE IN LAMINATINO  
LAMINATE DOORS  
PORTES LAMINÉES



63 PORTE IN TRANCIATO  
VENEERED DOORS  
PORTES CONTRE-PLAQUÉES



79 PORTE LACCATE PANTOGRAFATE  
LACQUERED PANTOGRAPHED DOORS  
PORTES PANTOGRAPHÉES LAQUÉES



89 PORTE LACCATE  
LACQUERED DOORS  
PORTES LAQUÉES



97 PORTE LACCATE EFFETTO 3D  
LACQUERED DOORS 3D EFFECT  
PORTES LAQUÉES EFFET 3D



102 DETTAGLI TECNICI E FINITURE  
TECHNICAL DETAILS AND FINISHES  
DÉTAILS TECHNIQUES ET FINITIONS

## 106/TRASPARENZE /TRANSPARENCY / TRANSPARENCE



108 **WHITE**  
TUTTO VETRO  
GLASS DOOR  
TOUÏT VERRE



110 **RED**  
VETRO ALLUMINIO  
ALUMINIUM GLASS  
VERRE ALUMINIUM



116 DETTAGLI TECNICI E FINITURE  
TECHNICAL DETAILS AND FINISHES  
DÉTAILS TECHNIQUES ET FINITIONS

## 120/INVISIBILE /INVISIBLE



122 PORTA FILOMURO  
FRAMELESS DOOR  
PORTES À FIL DE CLOISON



132 DETTAGLI TECNICI E FINITURE  
TECHNICAL DETAILS AND FINISHES  
DÉTAILS TECHNIQUES ET FINITIONS

## 136/ SOLUZIONI DI APERTURA / OPENING SOLUTIONS / SOLUTIONS D'OUVERTURE



## 146/ VETRI / GLASSES / VERRES



## 156/ MANIGLIE / HANDLES / POIGNÉES



# / DESIGN

DIVERSE FINITURE NE  
ESALTANO LA MATERICITÀ E  
L'ELEGANZA, SPRIGIONANDO  
TUTTA LA MAGNIFICENZA  
NELLE SOLUZIONI D'ARREDO  
CHE DEFINISCONO ED  
ESALTANO LO SPAZIO.

//

VARIOUS FINISHES  
ENHANCE MATERIALITY AND  
ELEGANCE, REALISING ALL  
THE MAGNIFICENCE IN THE  
FURNISHING SOLUTIONS,  
DEFINING AND EXALTING THE  
INTERIORS.

//

DIFFÉRENTES FINITIONS EN  
FONT RESSORTIR LA TEXTURE  
ET L'ÉLÉGANCE, EMBELLISSANT  
AINSI TOUTES LES SOLUTIONS  
D'AMEUBLEMENT QUI  
DÉFINISSENT ET EXALTENT LES  
ESPACES.

/  
**REAL WOOD CORDA**

MOD. M3-DESIGN01  
STIPITE / JAMB / JAMBAGE M3-0103  
FINITURA / FINISH / FINITION CORDA







/  
**REAL WOOD DAKOTA**

MOD. M3-DESIGN01  
STIPITE / JAMB / JAMBAGE M3-0104  
FINITURA / FINISH / FINITION DAKOTA





/  
**REAL WOOD NORDIC**

PORTA / DOOR / PORTE M3-DESIGN01  
STIPITE / JAMB / JAMBAGE M3-0105  
FINITURA / FINISH / FINITION NORDIC

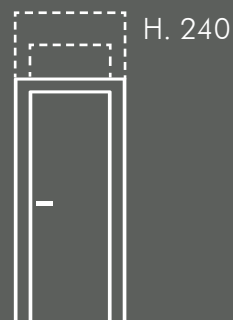


# / HEIGHT REAL WOOD

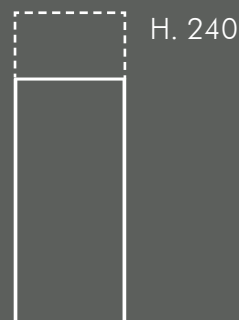
UNA SOLUZIONE  
PER AMBIENTI  
AMPI E LUMINOSI

THE SOLUTION FOR  
GREAT AND BRIGHT  
INDOOR SPACES

UNE SOLUTION POUR  
GRAND ET LUMINEUX  
ENVIRONNEMENTS



PORTA BATTENTE  
HINGED DOOR  
PORTE BATTANTE



PORTA SCORREVOLE  
SLIDING DOOR  
PORTE COULISSANTE



## / REAL WOOD NORDIC

PORTA / DOOR / PORTE M3-DESIGN01  
STIPITE / JAMB / JAMBAGE M3-0105  
FINITURA / FINISH / FINITION NORDIC



/  
**REAL WOOD SMOKE**

PORTA M3-DESIGN01  
SCORREVOLE ESTERNO MURO TIPO "F" / EXTERNAL SLIDING "F" VERSION / EXTERNE MUR VERSION "F"  
FINITURA / FINISH / FINITION SMOKE



LA FINITURA CHE ESALTA  
LA MATERIA

# / SENSATION DECAPÈ

THE FINISH THAT EXALTS  
THE MATERIAL

LA FINITION QUI EXALT  
LE MATÉRIEL



FRASSINO DECAPÈ GRIGIO  
ASH DECAPÉ GREY  
CENDRE DECAPÉ GRIS



FRASSINO DECAPÈ TORTORA  
ASH DECAPÉ DOVE-GREY  
CENDRE DECAPÉ TOURTERELLE



FRASSINO DECAPÈ BIANCO  
ASH DECAPÉ WHITE  
CENDRE DECAPÉ BLANC



/  
**EMOTION SURFACE**

PORTA / DOOR / PORTE M3-DESIGN01  
STIPITE / JAMB / JAMBAGE M3-0105  
NOBILITAZIONE FRASSINO / ASH ENNOBLED / ANOBLI CENDRE  
FINITURA DECAPE' GRIGIO / GREY DECAPÉ FINISH / FINITION GRIS DECAPÉ



/  
**EMOTION SURFACE**

PORTA / DOOR / PORTE M3-DESIGN01  
STIPITE / JAMB / JAMBAGE M3-0105  
NOBILITAZIONE FRASSINO / ASH ENNOBLED / ANOBLI CENDRE  
FINITURA DECAPE' GRIGIO / GREY DECAPÉ FINISH / FINITION GRIS DECAPÉ

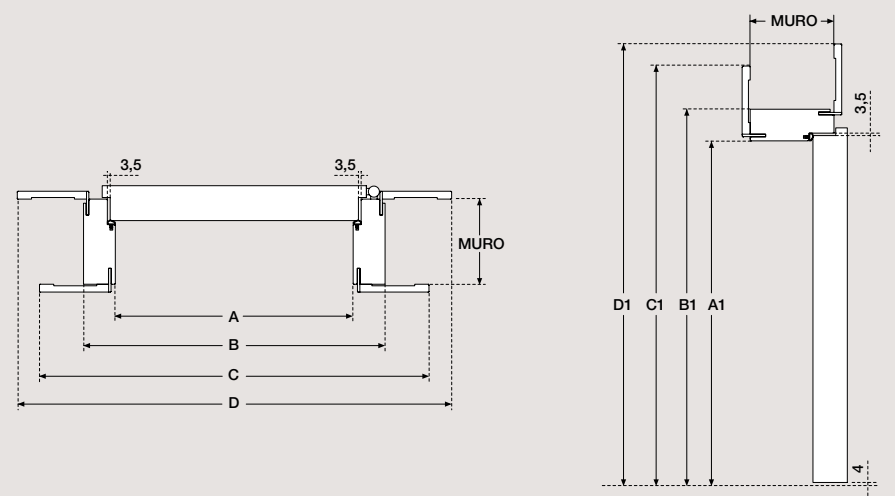


## DETAGLI TECNICI "DESIGN"

"DESIGN" TECHNICAL DETAILS / DÉTAILS TECHNIQUES "DESIGN"

### STIPITE 0103

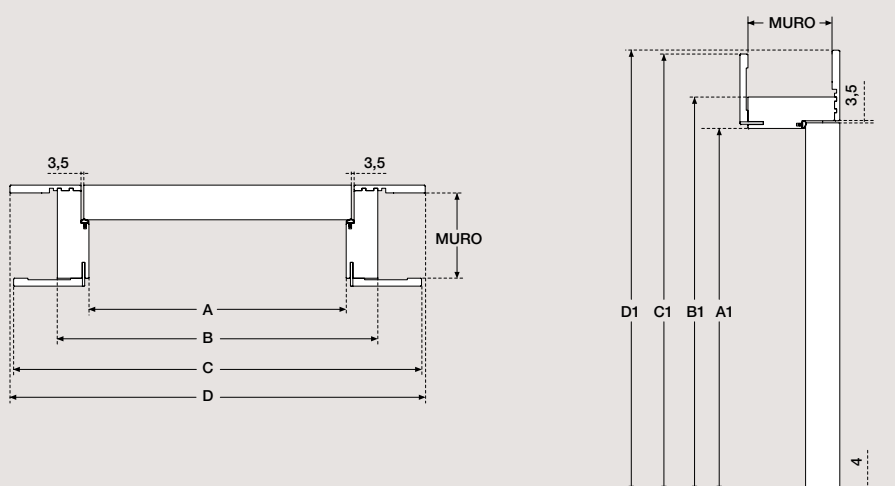
JAMB 0103  
JAMBAGE 0103



A / A1	B	C	D	B1	C1	D1
Passaggio luce Width Passage Net passage	Misura esterno telaio External depth frame Dimension extérieur coaise	Misura esterno coprifilo 1 External depth casing 1 Dimension extérieur lindeaux 1	Misura esterno coprifilo External depth casing Dimension extérieur lindeaux	Misura esterno telaio External depth frame Dimension extérieur coaise	Misura esterno coprifilo 1 External depth casing 1 Dimension extérieur lindeaux 1	Misura esterno coprifilo External depth casing Dimension extérieur lindeaux
-	<b>A</b> +80 mm	<b>A</b> +190 mm	<b>A</b> +248 mm	<b>A1</b> +40 mm	<b>A1</b> +95 mm	<b>A1</b> +124 mm

### STIPITE 0104

JAMB 0104  
JAMBAGE 0104



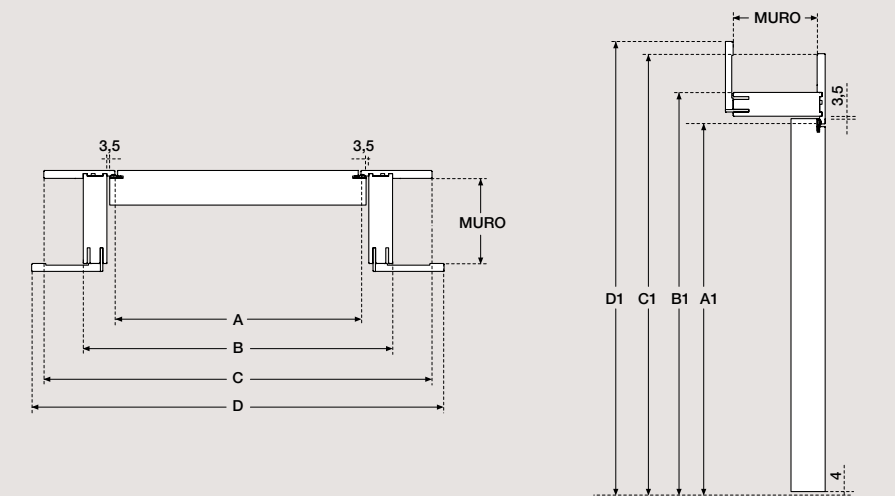
A / A1	B	C	D	B1	C1	D1
Passaggio luce Width Passage Net passage	Misura esterno telaio External depth frame Dimension extérieur coaise	Misura esterno coprifilo 1 External depth casing 1 Dimension extérieur lindeaux 1	Misura esterno coprifilo External depth casing Dimension extérieur lindeaux	Misura esterno telaio External depth frame Dimension extérieur coaise	Misura esterno coprifilo 1 External depth casing 1 Dimension extérieur lindeaux 1	Misura esterno coprifilo External depth casing Dimension extérieur lindeaux
-	<b>A</b> +80 mm	<b>A</b> +190 mm	<b>A</b> +200 mm	<b>A1</b> +40 mm	<b>A1</b> +95 mm	<b>A1</b> +100 mm

## DETAGLI TECNICI "DESIGN"

"DESIGN" TECHNICAL DETAILS / DÉTAILS TECHNIQUES "DESIGN"

### STIPITE 0105

JAMB 0105  
JAMBAGE 0105



A / A1	B	C	D	B1	C1	D1
Passaggio luce Width Passage Net passage	Misura esterno telaio External depth frame Dimension extérieur coaise	Misura esterno coprifilo 1 External depth casing 1 Dimension extérieur lindeaux 1	Misura esterno coprifilo External depth casing Dimension extérieur lindeaux	Misura esterno telaio External depth frame Dimension extérieur coaise	Misura esterno coprifilo 1 External depth casing 1 Dimension extérieur lindeaux 1	Misura esterno coprifilo External depth casing Dimension extérieur lindeaux
-	<b>A</b> +80 mm	<b>A</b> +180 mm	<b>A</b> +190 mm	<b>A1</b> +40 mm	<b>A1</b> +90 mm	<b>A1</b> +105 mm

### CERNIERA ANUBA ANUBA HINGES CHARNIÈRES ANUBA



### CERNIERA A SCOMPARSA K8000 CONCEALED HINGES K8000 CHARNIÈRES INVISIBLES K8000





# / FINITURE "DESIGN"

"DESIGN" FINISHES / FINITIONS "DESIGN"

**CORDA**  
CORDA  
CORDA



**DAKOTA**  
DAKOTA  
DAKOTA



**SMOKE**  
SMOKE  
SMOKE



**NORDIC**  
NORDIC  
NORDIC



/  
REAL  
WOOD

# / FINITURE "DESIGN"

"DESIGN" FINISHES / FINITIONS "DESIGN"

**FRASSINO DECAPÈ GRIGIO**  
ASH DECAPÈ GREY  
CENDRE DECAPÈ GRIS



**FRASSINO DECAPÈ BIANCO**  
ASH DECAPÈ WHITE  
CENDRE DECAPÈ BLANC



**FRASSINO DECAPÈ TORTORA**  
ASH DECAPÈ DOVE-GREY  
CENDRE DECAPÈ TOURTERELLE



/  
EMOTION  
SURFACE

# / CONTEMPORANEO CONTEMPORARY CONTEMPORAINE

PORTE CHE INCONTRANO  
IL GUSTO DI CHI È ALLA  
RICERCA DI MODERNITÀ/  
CONTEMPORANEITÀ.  
AMPIA VARIETÀ DI MODELLI IN  
TANTI COLORI E FINITURE.

//

DOORS THAT MEET  
THE TASTES OF THE ONES  
LOOKING FOR MODERNITY  
AND CONTEMPORARY.  
WIDE VARIETY OF MODELS AND  
COLOURS.

//

PORTE QUE RENCONTRE  
LE GOÛT DE QUI EST À LA  
RECHERCHE DE LA MODERNITÉ  
ET DU CONTEMPORAIN.  
GRANDE VARIÉTÉ DE MODÈLES  
EN NOMBREUX COULEURS  
ET FINITIONS.

PORTE IN LAMINATINO  
LAMINATE DOORS  
PORTES LAMINÉES



PAG. 33

PORTE IN TRANCIATO  
VENEERED DOORS  
PORTES CONTRE-PLAQUÉES



PAG. 63

PORTE LACCATE PANTOGRAFATE  
LACQUERED PANTOGRAPHED DOORS  
PORTES PANTOGRAPHÉES LAQUÉES



PAG. 79

PORTE LACCATE  
LACQUERED DOORS  
PORTES LAQUÉES



PAG. 89

PORTE LACCATE EFFETTO 3D  
LACQUERED DOORS 3D EFFECT  
PORTES LAQUÉES EFFECT 3D



PAG. 97

DETTAGLI TECNICI E FINITURE  
TECHNICAL DETAILS AND FINISHES  
DÉTAILS TECHNIQUES ET FINITIONS



PAG. 102

/  
CONTEMPORANEO  
CONTEMPORARY  
CONTEMPORAINE

/  
PORTE IN LAMINATO  
LAMINATE DOORS  
PORTES LAMINEÉS





**PORTA / DOOR / PORTE M3-1201**

STIPITE / JAMB / JAMBAGE M3-0100  
FINITURA / FINISH / FINITION MATRIX



/

**PORTA / DOOR / PORTE M3-1000**

STIPITE / JAMB / JAMBAGE M3-0102  
FINITURA LARICE GRIGIO / GREY LARCH FINIS / FINITION MÉLÈZE GRIS 1105



/  
**PORTA / DOOR / PORTE M3-1000**

STIPITE / JAMB / JAMBAGE M3-0102  
FINITURA GRANO / WHEAT FINISH / FINITION BLÉ LM36







/  
**PORTA / DOOR / PORTE M3-1000**

STIPITE / JAMB / JAMBAGE M3-0102  
FINITURA / FINISH / FINITION MATRIX







/  
**PORTA / DOOR / PORTE M3-1000**

STIPITE / JAMB / JAMBAGE M3-0102  
FINITURA FRASSINO / ASH FINISH / FINITION CENDRE B073



/

**PORTA / DOOR / PORTE M3-1000**

STIPITE / JAMB / JAMBAGE M3-0102  
FINITURA PALISSANDRO BIANCO / WHITE ROSEWOOD FINISH / FINITION PALISSANDRE BLANC 2302





/

**PORTA / DOOR / PORTE M3-1000**

STIPITE / JAMB / JAMBAGE M3-0102  
FINITURA PALISSANDRO GRIGIO / GREY ROSEWOOD FINISH / FINITION PALISSANDRE GRIS LK55



/

**PORTA / DOOR / PORTE M3-1000**

STIPITE / JAMB / JAMBAGE M3-0100  
FINITURA ROVERE / OAK FINISH / FINITION CHÊNE LG23







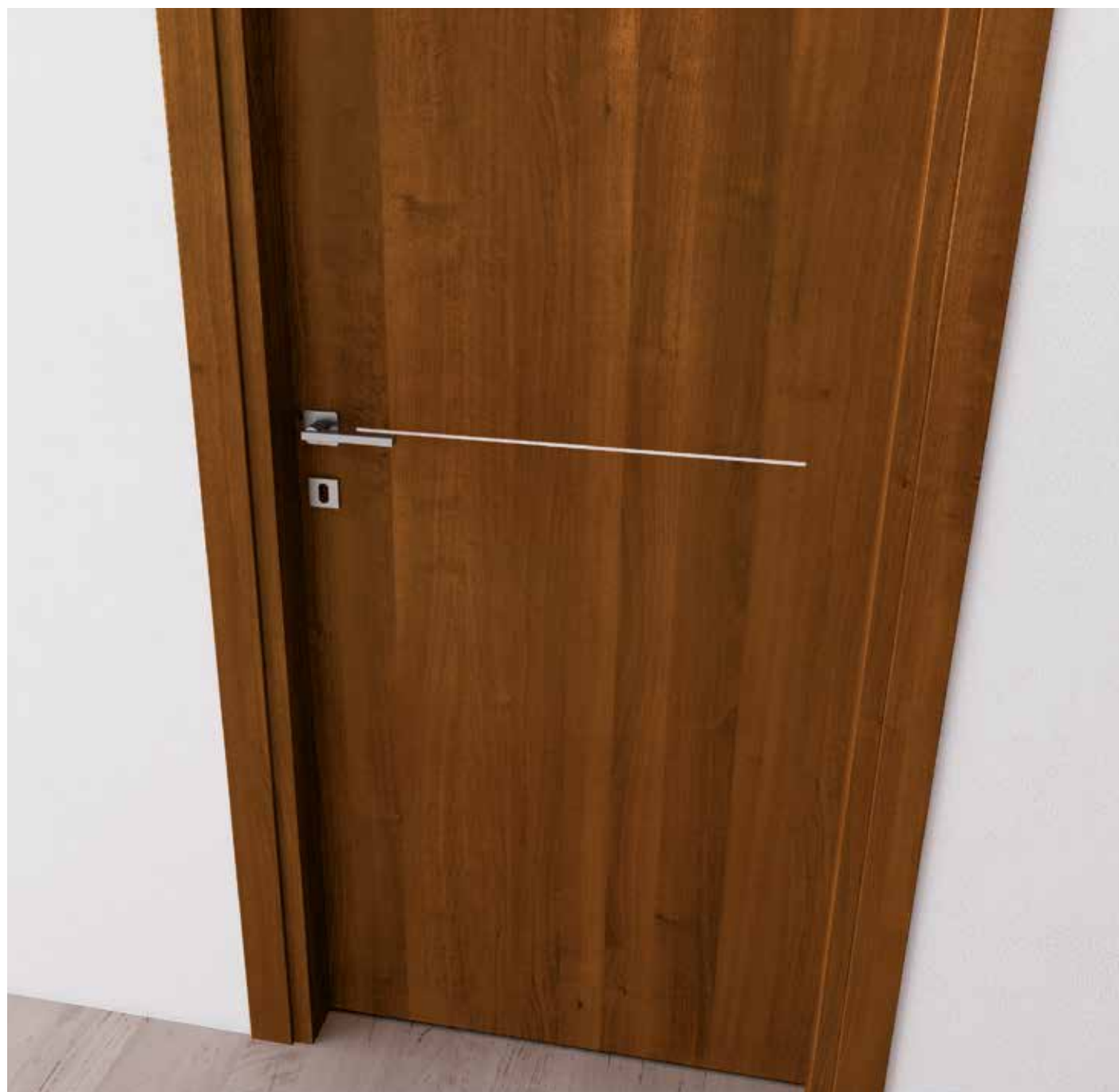
/  
**PORTA / DOOR / PORTE M3-1000**

STIPITE / JAMB / JAMBAGE M3-0100  
FINITURA NOCE / WALNUT FINISH / FINITION NOYER 840

/

**PORTA / DOOR / PORTE M3-1201**

STIPITE / JAMB / JAMBAGE M3-0100  
FINITURA NOCE / WALNUT FINISH / FINITION NOYER 840



/

**PORTA / DOOR / PORTE M3-120E**

STIPITE / JAMB / JAMBAGE M3-0100  
FINITURA ROVERE / OAK FINISH / FINITION CHÊNE LG23





/  
**PORTA / DOOR / PORTE M3-120E**

STIPITE / JAMB / JAMBAGE M3-0100  
FINITURA NOCE / WALNUT FINISH / FINITION NOYER LD57



/  
**PORTA / DOOR / PORTE M3-1000**

STIPITE / JAMB / JAMBAGE M3-0100  
FINITURA NOCE / WALNUT FINISH / FINITION NOYER LD57







/

**PORTA / DOOR / PORTE M3-1205**

STIPITE / JAMB / JAMBAGE M3-0100  
FINITURA BIANCO / WHITE FINISH / FINITION BLANC B011

/

**PORTA / DOOR / PORTE M3-1000**

STIPITE / JAMB / JAMBAGE M3-0100  
FINITURA CILIEGIO / CHERRY FINISH / FINITION CERISIER LG69





/  
**PORTA / DOOR / PORTE M3-2001**

STIPIE / JAMB / JAMBAGE M3-0100  
FINITURA PALISSANDRO BIANCO /  
WHITE ROSEWOOD FINISH /  
FINITION PALISSANDRE BLANC 2302



/  
**PORTA / DOOR / PORTE M3-2010**

STIPIE / JAMB / JAMBAGE M3-0100  
FINITURA PALISSANDRO BIANCO / WHITE ROSEWOOD FINISH / FINITION PALISSANDRE BLANC 2302

/  
CONTEMPORANEO  
CONTEMPORARY  
CONTEMPORAINE

/  
PORTE IN TRANCIATO  
VENEERED DOORS  
PORTES CONTRE-PLAQUÉES





/

**MOD. M3-312C**

STIPITE / JAMB / JAMBAGE M3-0102  
TRANCIATO FRASSINO / VENEER ASH / CENDRE CONTRE-PLAQUÉ  
FINITURA / FINISH / FINITION CAPPUCCINO



/

**MOD. M3-3205**

STIPITE / JAMB / JAMBAGE M3-0110  
TRINCIATO ROVERE / VENEER OAK / CHÊNE CONTRE-PLAQUÉ  
FINITURA ROVERE GRIGIO / GREY OAK FINISH / FINITION CHÊNE GRIS





/  
**MOD. M3-312C**

STIPITE / JAMB / JAMBAGE M3-0102  
TRANCIATO FRASSINO / VENEER ASH / CENDRE CONTRE-PLAQUÉ  
LACCATO BIANCO / WHITE LAQUERED / LAQUÉ BLANC





/

**MOD. M3-3221**

STIPITE / JAMB / JAMBAGE M3-0110  
TRANCIATO FRASSINO / VENEER ASH / CENDRE CONTRE-PLAQUÉ  
FINITURA / FINISH / FINITION MOKA



/

**MOD. M3-3020**

STIPITE / JAMB / JAMBAGE M3-0110  
TRANCIATO FRASSINO / VENEER ASH / CENDRE CONTRE-PLAQUÉ  
FINITURA / FINISH / FINITION MOKA





/

**MOD. M3-3010**

STIPITE / JAMB / JAMBAGE M3-0110  
TRANCIATO ROVERE / VENEER OAK / CHÊNE CONTRE-PLAQUÉ  
FINITURA ROVERE NATURALE / NATURAL OAK FINISH / FINITION CHÊNE NATUREL



/  
**MOD. M3-3020**

STIPITE / JAMB / JAMBAGE M3-0102  
TRANCIATO FRASSINO / VENEER  
ASH / CENDRE CONTRE-PLAQUÉ  
FINITURA LACC. AVORIO / IVORY  
LAQUERED FINISH / FINITION  
LAQUÉ IVOIRE 1013







/

**MOD. M3-3060**

STIPE / JAMB / JAMBAGE M3-0110  
TRINCIATO ROVERE / VENEER OAK / CHÊNE CONTRE-PLAQUÉ  
FINITURA / FINISH / FINITION MOKA

/  
CONTEMPORANEO  
CONTEMPORARY  
CONTEMPORAINE

/  
PORTE LACCATE PANTOGRAFATE  
LACQUERED PANTOGRAPHED DOORS  
PORTES PANTOGRAPHÉES LAQUÉES





MOD. M3-5001

STIPITE / JAMB / JAMBAGE M3-0110  
LACCATO RAL / RAL LAQUERED / RAL LAQUÉ 7039



/  
**MOD. M3-5004**

STIPITE / JAMB / JAMBAGE M3-0110  
LACCATO RAL / RAL LAQUERED / RAL LAQUÉ 7010



/  
**MOD. M3-5005**

STIPITE / JAMB / JAMBAGE M3-0110  
LACCATO RAL / RAL LAQUERED / RAL LAQUÉ 7038



/  
**MOD. M3-5009**

STIPITE / JAMB / JAMBAGE M3-0110  
LACCATO RAL / RAL LAQUERED / RAL LAQUÉ 1013





/  
**MOD. M3-5002**

STIPITE / JAMB / JAMBAGE M3-0110  
LACCATO RAL / RAL LAQUERED / RAL LAQUÉ 1013





/  
CONTEMPORANEO  
CONTEMPORARY  
CONTEMPORAINE

/  
PORTE LACCATE  
LACQUERED DOORS  
PORTES LAQUÉES



/  
**MOD. M3-610G**

STIPITE / JAMB / JAMBAGE M3-0110  
LACCATO RAL / RAL LAQUERED / RAL LAQUÉ 7037



/  
**MOD. M3-6107**

STIPITE / JAMB / JAMBAGE M3-0102  
LACCATO RAL / RAL LAQUERED / RAL LAQUÉ 7015



/  
**MOD. M3-6107**

STIPITE / JAMB / JAMBAGE M3-0102  
LACCATO RAL / RAL LAQUERED / RAL LAQUÉ 7040







/  
**MOD. M3-6108**

PORTA LACCATO RAL 7039  
DOOR LACQUERED RAL 7039  
PORTE LAQUÉE RAL 7039



/  
**MOD. M3-610F**

PORTA LACCATO RAL 7023  
DOOR LACQUERED RAL 7023  
PORTE LAQUÉE RAL 7023



/  
**MOD. M3-610M**

PORTA LACCATO RAL 7030  
DOOR LACQUERED RAL 7030  
PORTE LAQUÉE RAL 7030



/  
**MOD. M3-6205**

PORTA LACCATO RAL 7034  
DOOR LACQUERED RAL 7034  
PORTE LAQUÉE RAL 7034



/  
**MOD. M3-610R**

PORTA LACCATO RAL 7034  
DOOR LACQUERED RAL 7034  
PORTE LAQUÉE RAL 7034



/  
**MOD. M3-6206**

PORTA LACCATO RAL 6011  
DOOR LACQUERED RAL 6011  
PORTE LAQUÉE RAL 6011



/  
**MOD. M3-620D**

PORTA LACCATO RAL 6034  
DOOR LACQUERED RAL 6034  
PORTE LAQUÉE RAL 6034



/  
**MOD. M3-6109**

PORTA LACCATO RAL 7001  
DOOR LACQUERED RAL 7001  
PORTE LAQUÉE RAL 7001



/  
**MOD. M3-6201**

STIPITE / JAMB / JAMBAGE M3-0102  
LACCATO RAL / RAL LAQUERED / RAL LAQUÉE 3031

/  
CONTEMPORANEO  
CONTEMPORARY  
CONTEMPORAINE

/  
PORTE LACCATE EFFETTO 3D  
LACQUERED DOORS 3D EFFECT  
PORTES LAQUÉES EFFECT 3D



**MOD. M3-8304**

STIPITE / JAMB / JAMBAGE M3-0110  
LACCATO RAL / RAL LAQUERED / RAL LAQUÉ 9001

**MOD. M3-8000**

STIPITE / JAMB / JAMBAGE M3-0110  
LACCATO RAL / RAL LAQUERED / RAL LAQUÉ 9001





/  
**MOD. M3-9000**

STIPITE / JAMB / JAMBAGE M3-0100  
LACCATO RAL / RAL LAQUERED / RAL LAQUÉ 7010

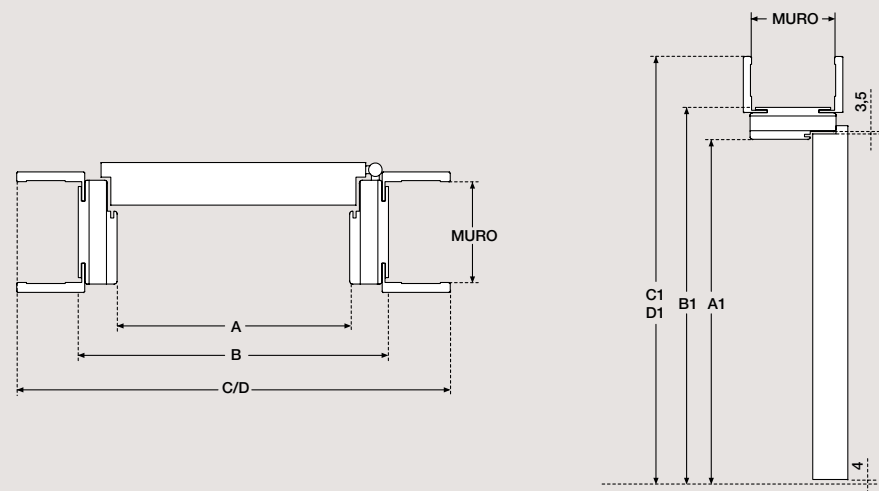


## DETTAGLI TECNICI "CONTEMPORANEO"

"CONTEMPORANEO" TECHNICAL DETAILS / DÉTAILS TECHNIQUE " CONTEMPORAINE"

### STIPITE M3-0100 / M3-0110

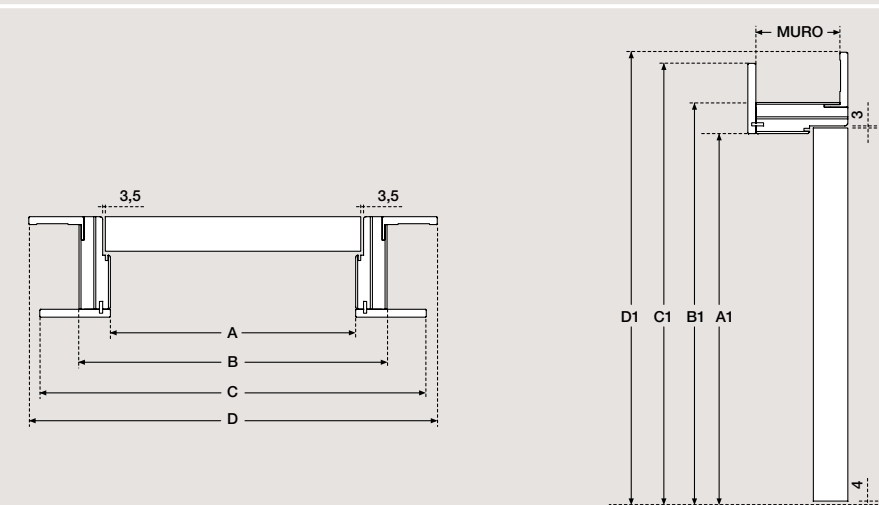
JAMB M3-0100 / M3-0110  
JAMBAGE M3-0100 / M3-0110



A / A1	B	C / D	B1	C1 / D1
Passaggio luce Width Passage Net passage	Misura esterno telaio External depth frame Dimension extérieur caisse	Misura esterno coprifilo External depth casing Dimension extérieur linteaux	Misura esterno telaio External depth frame Dimension extérieur caisse	Misura esterno coprifilo External depth casing Dimension extérieur linteaux
-	<b>A</b> +80 mm	<b>A</b> +207 mm	<b>A1</b> +40 mm	<b>A1</b> +103 mm

### STIPITE M3-0102

JAMB M3-0102  
JAMBAGE M3-0102



A / A1	B	C	D	B1	C1	D1
Passaggio luce Width Passage Net passage	Misura esterno telaio External depth frame Dimension extérieur caisse	Misura esterno coprifilo 1 External depth casing 1 Dimension extérieur linteaux 1	Misura esterno coprifilo External depth casing Dimension extérieur linteaux	Misura esterno telaio External depth frame Dimension extérieur caisse	Misura esterno coprifilo 1 External depth casing 1 Dimension extérieur linteaux 1	Misura esterno coprifilo External depth casing Dimension extérieur linteaux
-	<b>A</b> +80 mm	<b>A</b> +180 mm	<b>A</b> +206 mm	<b>A1</b> +40 mm	<b>A1</b> +90 mm	<b>A1</b> +103 mm

## DETTAGLI TECNICI "CONTEMPORANEO"

"CONTEMPORANEO" TECHNICAL DETAILS / DÉTAILS TECHNIQUE " CONTEMPORAINE"

### CERNIERA ANUBA ANUBA HINGES CHARNIÈRES ANUBA



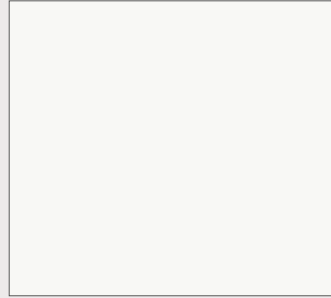
### CERNIERA A SCOMPARSA K1000 CONCEALED HINGES K8000 CHARNIÈRES INVISIBLES K8000



# FINITURE "CONTEMPORANEO"

"CONTEMPORARY" FINISHES / FINITIONS "CONTEMPORAINE"

**LAMINATINO BIANCO B011**  
LAMINATE WHITE B011  
LAMINÉ BLANC



**LAMINATINO CILIEGIO LG69**  
LAMINATE CHERRY LG69  
LAMINÉ CERISIER LG69



**LAMINATINO FRASSINO B073**  
LAMINATE ASH B073  
LAMINÉ CENDRE B073



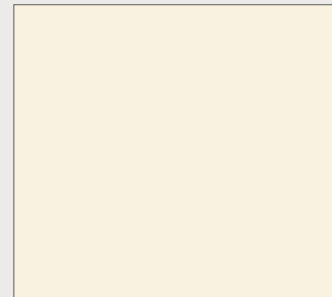
**LAMINATINO NOCE 840**  
LAMINATE WALNUT 840  
LAMINÉ NOYER 840



**LAMINATINO NOCE LD57**  
LAMINATE WALNUT LD57  
LAMINÉ NOYER LD57



**LAMINATINO PANNA B003**  
LAMINATE CREAM B003  
LAMINÉ CRÈME B003



**LAMINATINO ROVERE LG23**  
LAMINATE OAK LG23  
LAMINÉ CHENE LG23



**LAM. LARICE GRIGIO 1105**  
LAMINATE GREY LARCH 1105  
LAMINÉ MÈLÈZE GRIS 1105



**LAM. MATRIX BIANCO B011**  
LAMINATE MATRIX WHITE B011  
LAMINÉ MATRIX BLANC B011



**LAM. PALISSANDRO BIANCO**  
LAMINATE ROSEWOOD WHITE  
LAMINÉ PALISSANDRE BLANC



**LAM. PALISSANDRO GRIGIO**  
LAMINATE ROSEWOOD GREY  
LAMINÉ PALISSANDRE GRIS



**LAMINATINO GRANO LM36**  
LAMINATE WHEAT LM36  
LAMINÉ BLÉ LM36



# FINITURE "CONTEMPORANEO"

"CONTEMPORARY" FINISHES / FINITIONS "CONTEMPORAINE"

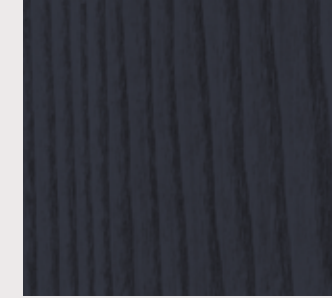
**FRASSINO FIN. CAPPUCCINO**  
ASH FINISH CAPPUCCINO  
CENDRE FINITION CAPUCCINO



**FRASSINO FIN. MOKA**  
ASH FINISH MOKA  
CENDRE FINITION MOKA



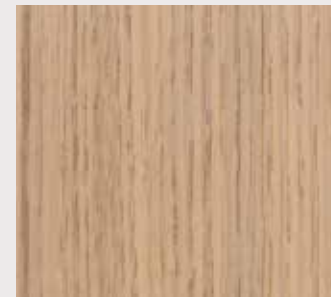
**FRASSINO FIN. GRIGIO**  
ASH FINISH GREY  
CENDRE FINITION GRIS



**ROVERE FIN. ROVERE NATURALE**  
OAK FINISH NATURAL OAK  
CHÈNE FINITION CHENE NATUREL



**ROVERE FIN. ROVERE SBIANCATO**  
OAK FINISH WHITENED OAK  
CHÈNE FINITION CHENE DÉCAPÉ



**ROVERE FIN. MOKA**  
OAK FINISH MOKA  
CHÈNE FINITION MOKA



**ROVERE FIN. GRIGIO**  
OAK FINISH GREY  
CHÈNE FINITION GRIS



**NOCE NAZIONALE FIN. NOCE**  
NATIONAL WALNUT FIN. WALNUT  
NOYER NATIONAL FINITION NOYER



**TANGANIKAFIN. NATURALE**  
TANGANIKAFIN. NATURAL  
TANGANIKAFINITION NATUREL



**TANGANIKAFIN. CILIEGIO**  
TANGANIKAFINITION CHERRY  
TANGANIKAFINITION CERISIER



**TANGANIKAFIN. SCURO**  
TANGANIKAFINITION DARK  
TANGANIKAFINITION SOMBRE



RAL  
RAL  
RAL





/  
TRASPARENZE  
TRANSPARENCY  
TRANSPARENCE

LUMINOSITÀ, LEGGEREZZA  
ED ELEGANZA RENDONO  
UNICA E INIMITABILE  
LA COLLEZIONE  
"TRASPARENZE" DI MOBIL3.

//

BRIGHTNESS, LIGHTNESS  
AND ELEGANCE, MAKE  
THE MOBIL3 "INVISIBLE"  
COLLECTION UNIQUE  
AND INCOMPARABLE.

//

LUMINOSITÉ, LÉGÈRETÉ  
ET ÉLÉGANCE RENDENT  
LA COLLECTION  
"TRANSPARENCE" DE MOBIL3  
UNIQUE ET INIMITABLE.



/

**MOD. M3-WHITE01**

STIPITE / JAMB / JAMBAGE M3-0103

/  
**MOD. M3-RED01**

STIPITE M3-0400 IN ALLUMINIO / JAMB M3-0400 IN ALUMINIUM / JAMBAGE M3-0400 EN ALUMINIUM  
VETRO TRASPARENTE / TRANSPARENT GLASS / VERRE TRANSPARENT







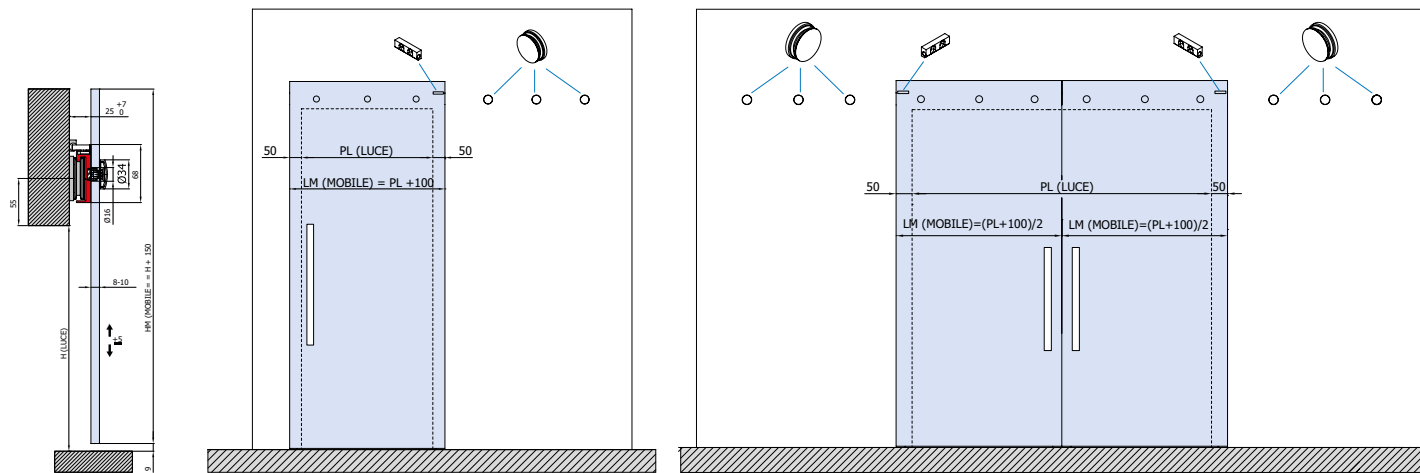
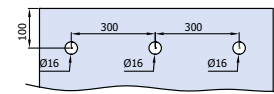
/  
**MOD. M3-WHITE01 A LIBRO / FOLDING DOOR**

STIPITE / JAMB / JAMBAGE M3-0100  
LAM. BIANCO / WHITE LAMINATE / LAMINÉ BLANC B011



/  
**MOD. M3-WHITE01**

SCORR. ESTERNO MURO TIPO MINIMAL / EXTERNAL SLIDING "MINIMAL" VERSION / EXTERNE MUR VERSION "MINIMAL"



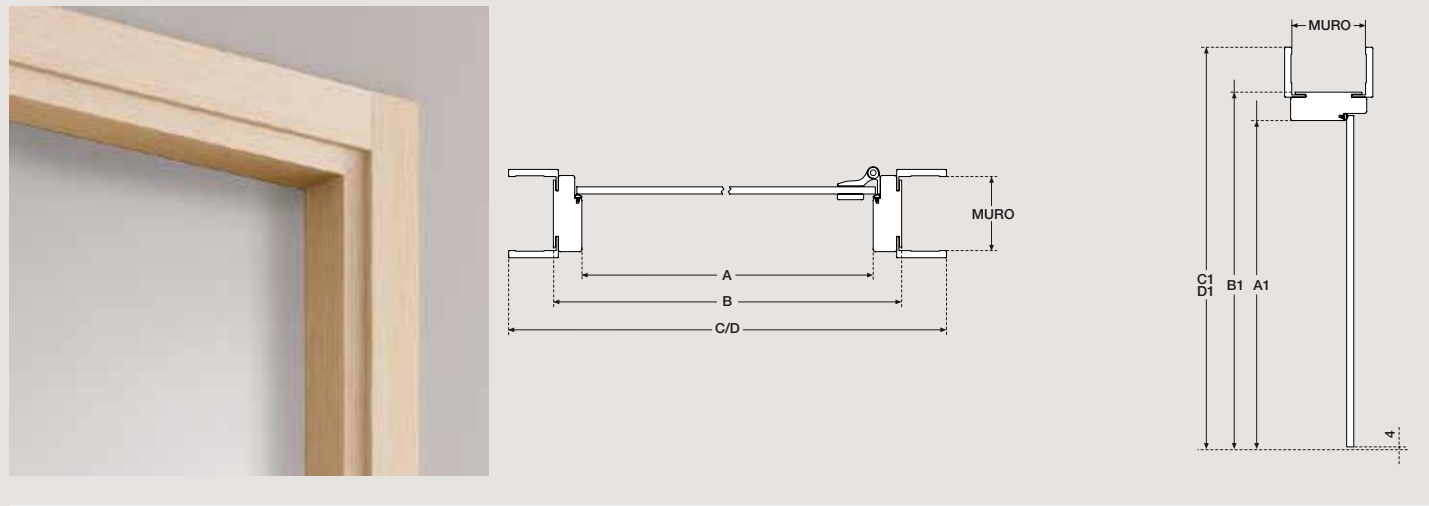
$PL$  = PASSAGGIO LUCE - CLEAR OPENING WIDTH - NET PASSAGE  
 $LM$  = LARGHEZZA ANTA MOBILE - SLIDING DOOR WIDTH - LARGEUR PORTE MOBILE  
 $HM$  = ALTEZZA ANTA MOBILE - SLIDING DOOR HEIGHT - HAUTEUR PORTE MOBILE  
 $H$  = ALTEZZA PASSAGGIO LUCE - CLEAR OPENING HEIGHT - HAUTEUR NET PASSAGE



## DETTAGLI TECNICI "TRASPARENZE"

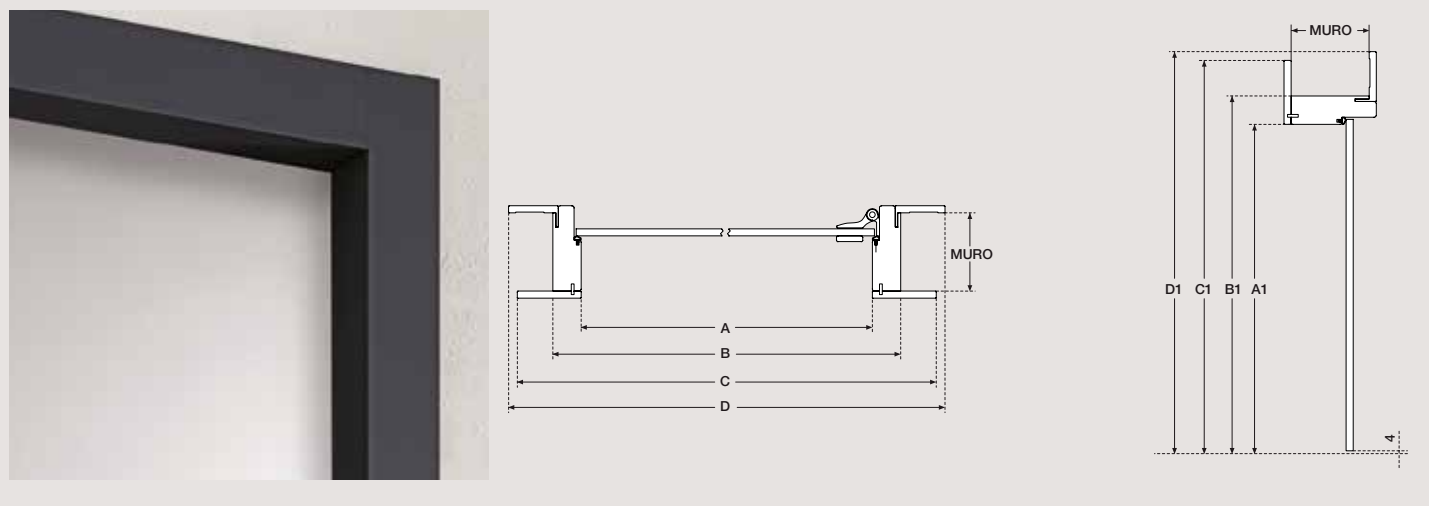
TECHNICAL DETAILS "TRANSPARENCY" / DÉTAILS TECHNIQUES "TRANSPARENCE"

**STIPITE M3-0100**  
JAMB M3-0100  
JAMBAGE M3-0100



A / A1	B	C / D	B1	C1
Passaggio luce Width Passage Net passage	Misura esterno telaio External depth frame Dimension extérieur caisse	Misura esterno coprifilo 1 External depth casing 1 Dimension extérieur linteaux 1	Misura esterno telaio External depth frame Dimension extérieur caisse	Misura esterno coprifilo 1 External depth casing 1 Dimension extérieur linteaux 1
-	<b>A + 80 mm</b>	<b>A + 207 mm</b>	<b>A + 40 mm</b>	<b>A + 103 mm</b>

**STIPITE M3-0102**  
JAMB M3-0102  
JAMBAGE M3-0102

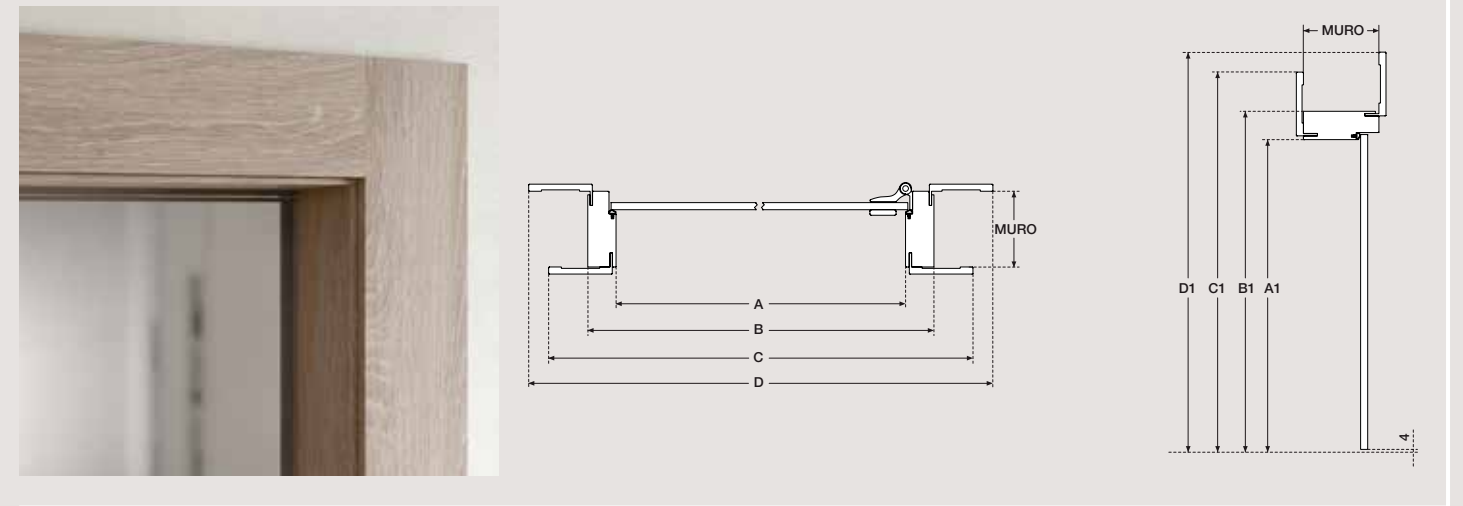


A / A1	B	C	D	B1	C1	D1
Passaggio luce Width Passage Net passage	Misura esterno telaio External depth frame Dimension extérieur caisse	Misura esterno coprifilo 1 External depth casing 1 Dimension extérieur linteaux 1	Misura esterno coprifilo External depth casing Dimension extérieur linteaux	Misura esterno telaio External depth frame Dimension extérieur caisse	Misura esterno coprifilo 1 External depth casing 1 Dimension extérieur linteaux 1	Misura esterno coprifilo External depth casing Dimension extérieur linteaux
-	<b>A + 80 mm</b>	<b>A + 180 mm</b>	<b>A + 206 mm</b>	<b>A + 40 mm</b>	<b>A + 90 mm</b>	<b>A1 + 103 mm</b>

## DETTAGLI TECNICI "TRASPARENZE"

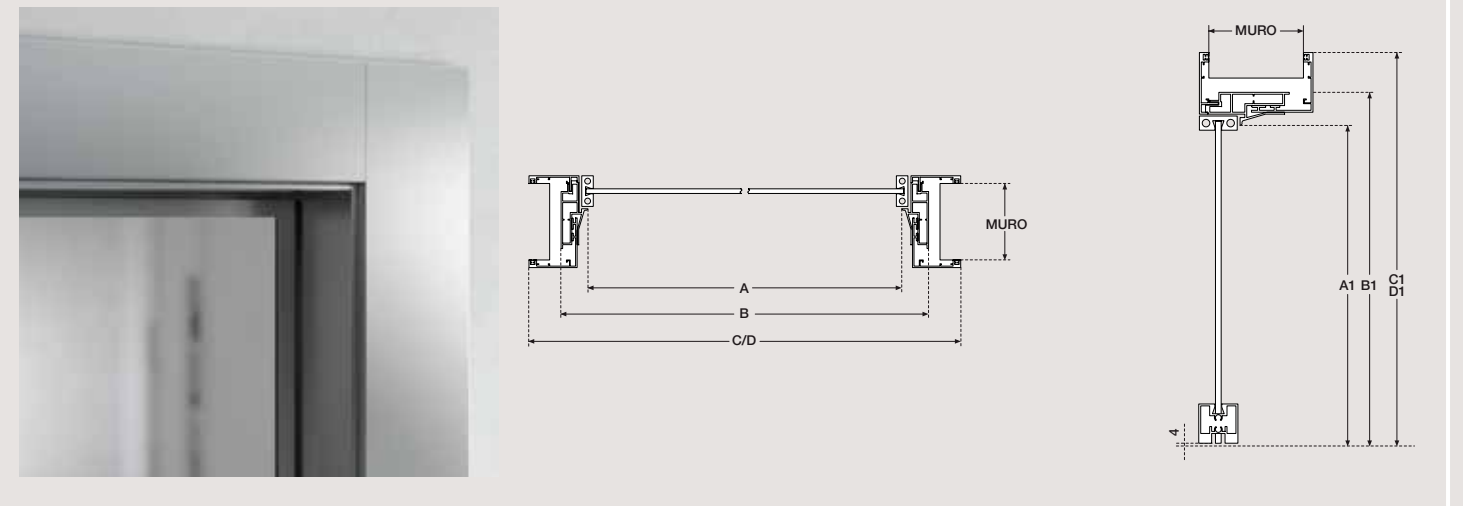
TECHNICAL DETAILS "TRANSPARENCY" / DÉTAILS TECHNIQUES "TRANSPARENCE"

**STIPITE M3-0103**  
JAMB M3-0103  
JAMBAGE M3-0103



A / A1	B	C	D	B1	C1	D1
Passaggio luce Width Passage Net passage	Misura esterno telaio External depth frame Dimension extérieur caisse	Misura esterno coprifilo 1 External depth casing 1 Dimension extérieur linteaux 1	Misura esterno coprifilo External depth casing Dimension extérieur linteaux	Misura esterno telaio External depth frame Dimension extérieur caisse	Misura esterno coprifilo 1 External depth casing 1 Dimension extérieur linteaux 1	Misura esterno coprifilo External depth casing Dimension extérieur linteaux
-	<b>A + 80 mm</b>	<b>A + 190 mm</b>	<b>A + 248 mm</b>	<b>A + 40 mm</b>	<b>A + 95 mm</b>	<b>A1 + 124 mm</b>

**STIPITE M3-0400**  
JAMB M3-0400  
JAMBAGE M3-0400



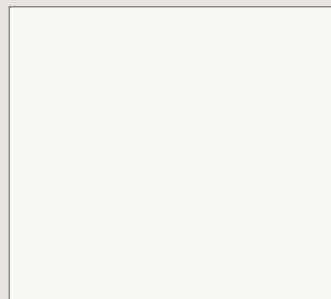
A / A1	B	C / D	B1	C1 / D1
Passaggio luce Width Passage Net passage	Misura esterno telaio External depth frame Dimension extérieur caisse	Misura esterno coprifilo 1 External depth casing 1 Dimension extérieur linteaux 1	Misura esterno telaio External depth frame Dimension extérieur caisse	Misura esterno coprifilo 1 External depth casing 1 Dimension extérieur linteaux 1
-	<b>A + 70 mm</b>	<b>A + 130 mm</b>	<b>A + 35 mm</b>	<b>A + 77 mm</b>



## / FINITURE DELLO STIPITE

JAMB FINISHES / FINITIONS JAMBAGE

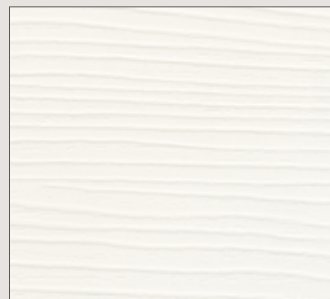
**LAMINATINO BIANCO B011**  
LAMINATE WHITE B011  
LAMINÉ BLANC



**LAMINATINO CILIEGIO LG69**  
LAMINATE CHERRY LG69  
LAMINÉ CERISIER LG69



**LAMINATINO FRASSINO B073**  
LAMINATE ASH B073  
LAMINÉ CENDRE B073



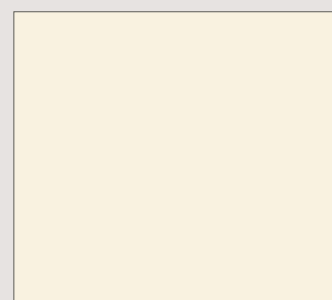
**LAMINATINO NOCE 840**  
LAMINATE WALNUT 840  
LAMINÉ NOYER 840



**LAMINATINO NOCE LD57**  
LAMINATE WALNUT LD57  
LAMINÉ NOYER LD57



**LAMINATINO PANNA B003**  
LAMINATE CREAM B003  
LAMINÉ CRÈME B003



**LAMINATINO ROVERE LG23**  
LAMINATE OAK LG23  
LAMINÉ CHENE LG23



**LAM. LARICE GRIGIO 1105**  
LAMINATE GREY LARCH 1105  
LAMINÉ MÈLÈZE GRIS 1105



**LAM. MATRIX BIANCO B011**  
LAMINATE MATRIX WHITE B011  
LAMINÉ MATRIX BLANC B011



**LAM. PALISSANDRO BIANCO**  
LAMINATE ROSEWOOD WHITE  
LAMINÉ PALISSANDRE BLANC



**LAM. PALISSANDRO GRIGIO**  
LAMINATE ROSEWOOD GREY  
LAMINÉ PALISSANDRE GRIS



**LAMINATINO GRANO LM36**  
LAMINATE WHEAT LM36  
LAMINÉ BLÉ LM36



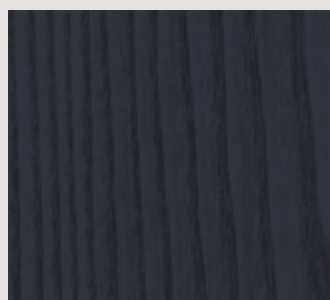
**FRASSINO FIN. CAPPUCCINO**  
ASH FINISH CAPPUCCINO  
CENDRE FINITION CAPUCCINO



**FRASSINO FIN. MOKA**  
ASH FINISH MOKA  
CENDRE FINITION MOKA



**FRASSINO FIN. GRIGIO**  
ASH FINISH GREY  
CENDRE FINITION GRIS



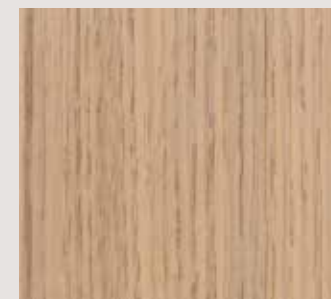
## / FINITURE DELLO STIPITE

JAMB FINISHES / FINITIONS JAMBAGE

**ROVERE FIN. ROVERE NATURALE**  
OAK FINISH NATURAL OAK  
CHÈNE FINITION CHENE NATUREL



**ROVERE FIN. ROVERE SBIANCATO**  
OAK FINISH WHITENED OAK  
CHÈNE FINITION CHENE DÉCAPÉ



**ROVERE FIN. MOKA**  
OAK FINISH MOKA  
CHÈNE FINITION MOKA



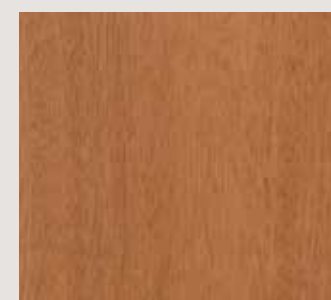
**ROVERE FIN. GRIGIO**  
OAK FINISH GREY  
CHÈNE FINITION GRIS



**NOCE NAZIONALE FIN. NOCE**  
NATIONAL WALNUT FIN. WALNUT  
NOYER NATIONAL FINITION NOYER



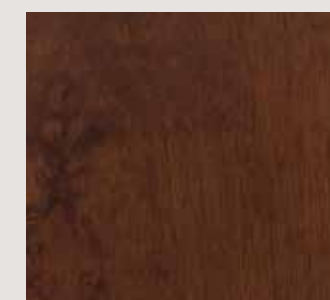
**TANGANIKI FIN. NATURALE**  
TANGANIKI FIN. NATURAL  
TANGANIKI FINITION NATUREL



**TANGANIKI FIN. CILIEGIO**  
TANGANIKI FINISH CHERRY  
TANGANIKI FINITION CERISIER



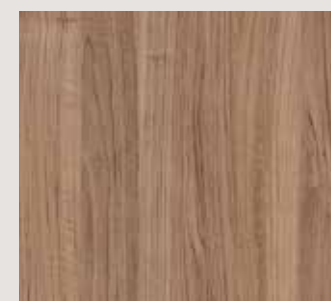
**TANGANIKI FIN. SCURO**  
TANGANIKI FINISH DARK  
TANGANIKI FINITION SOMBRE



**CORDA**  
CORDA  
CORDA



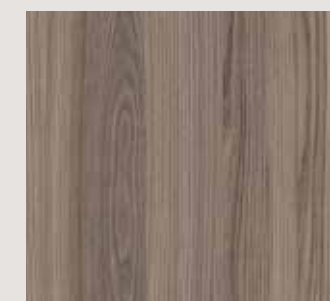
**DAKOTA**  
DAKOTA  
DAKOTA



**NORDIC**  
NORDIC  
NORDIC



**SMOKE**  
SMOKE  
SMOKE



**FRASSINO DECAPÈ BIANCO**  
ASH DECAPÉ WHITE  
CENDRE DECAPÉ BLANC



**FRASSINO DECAPÈ GRIGIO**  
ASH DECAPÉ GREY  
CENDRE DECAPÉ GRIS



**FRASSINO DECAPÈ TORTORA**  
ASH DECAPÉ DOVE-GREY  
CENDRE DECAPÉ TOURTERELLE



**RAL**  
RAL  
RAL



/  
INVISIBILE  
INVISIBLE

SINTESI DI UN DESIGN MINIMALE,  
LE PORTE DELLA COLLEZIONE  
"INVISIBILE" DI MOBIL3,  
SI INTEGRANO ALLA PERFEZIONE  
NELLE PARETI, OFFRENDO  
INTERESSANTI SPUNTI DI  
ARREDAMENTO.

//

SINTHESYS OF A MINIMAL  
DESIGN, THE DOOR OF  
MOBIL3 "INVISIBLE" COLLECTION,  
ARE PERFECT INTEGRATED  
INTO THE WALL,  
OFFERING INTERESTING  
DECORATING IDEAS.

//

SYNTHÈSE DU DESIGN MINIMAL,  
LES PORTES DE LA COLLECTION  
"INVISIBILE" DE MOBIL3,  
S'INTÈGRENT À LA PERFECTION  
DANS LES MURS, EN OFFRANT  
INTÉRESSANTES SOLUTIONS.



**M3-BASIC01**

STIPITE / JAMB / JAMBAGE M3-0300  
FINITURA INTONACO / PLASTER FINISH / FINITION PLÂTRE



/

**MOD. M3-BASIC01**

STIPITE / JAMB / JAMBAGE M3-0300  
FINITURA INTONACO / PLASTER FINISH / FINITION PLÂTRE



/  
**MOD. M3-BASIC01**

STIPITE / JAMB / JAMBAGE M3-0301  
LACCATO RAL / RAL LAQUERED / RAL LAQUÉ 5010



/  
**MOD. M3-BASIC01**

STIPITE / JAMB / JAMBAGE M3-0300  
LACC. RAL 9005 LUCIDO / GLOSS LAQUERED RAL 9005 / RAL 9005 LAQUÉ LUCIDE



/

**MOD. M3-BASIC01**

APERTURA A BILICO BIDIREZIONALE / BIDIRECTIONAL PIVOT OPENING / OUVERTURE BIDIRECTIONELLE BASCULANT  
STIPITE / JAMB / JAMBAGE M3-0300  
FINITURA INTONACO / PLASTER FINISH / FINITION PLÂTRE







/

**MOD. M3-BASIC01**

APERTURA A LIBRO / FOLDING OPENING / OUVERTURE À LIVRE  
STIPITE / JAMB / JAMBAGE M3-0300  
FINITURA INTONACO / PLASTER FINISH / FINITION PLÂTRE

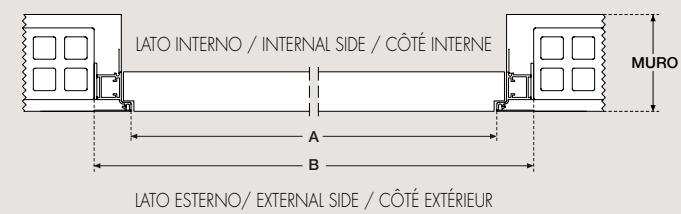
## DETTAGLI TECNICI "INVISIBILE"

"INVISIBILE" TECHNICAL DETAILS / DÉTAILS TECHNIQUES "INVISIBLE"

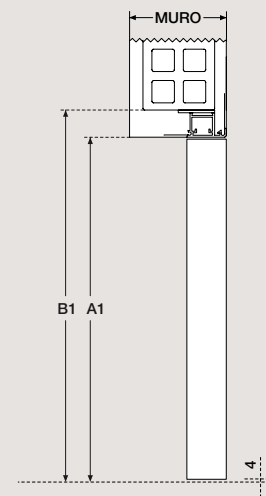
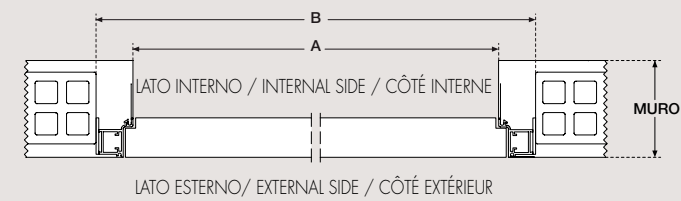
### STIPITE M3-0300

JAMB M3-0300  
JAMBAGE M3-0300

#### APERTURA A SPINGERE / PUSH OPENING / OUVERTURE À POUSSER



#### APERTURA A TIRARE / PULL OPENING / OUVERTURE À TIRER



#### A / A1

Passaggio luce  
Width Passage  
Net passage

#### B

Misura esterno telaio  
External depth frame  
Dimension extérieur caisse

#### B1

Misura esterno telaio  
External depth frame  
Dimension extérieur caisse

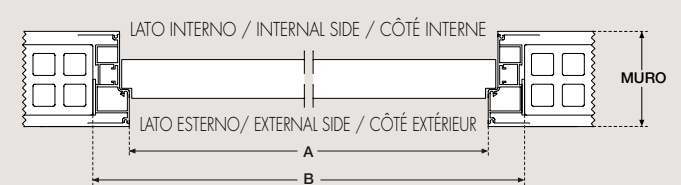
**A** +80 mm

**A1** +50 mm

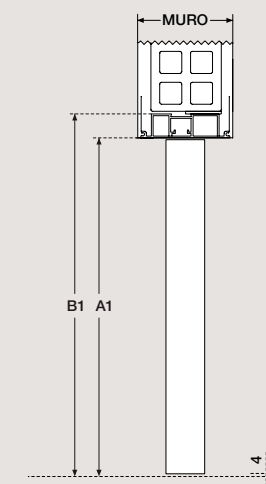
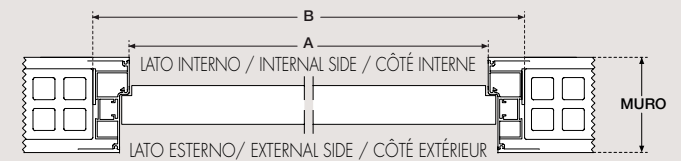
### STIPITE M3-0301

JAMB M3-0301

#### APERTURA A SPINGERE / PUSH OPENING / OUVERTURE À POUSSER



#### APERTURA A TIRARE / PULL OPENING / OUVERTURE À TIRER



#### A / A1

Passaggio luce  
Width Passage  
Net passage

#### B

Misura esterno telaio  
External depth frame  
Dimension extérieur caisse

#### B1

Misura esterno telaio  
External depth frame  
Dimension extérieur caisse

**A** +80 mm

**A1** +50 mm

## DETTAGLI TECNICI "INVISIBILE"

"INVISIBILE" TECHNICAL DETAILS / DÉTAILS TECHNIQUES "INVISIBLE"

### CERNIERA A SCOMPARSA K1000

CONCEALED HINGES K1000  
CHARNIÈRES INVISIBLES K1000



## FINITURE "INVISIBILE"

"INVISIBLE" FINISHES / FINITIONS "INVISIBLE"

**LAMINATINO BIANCO B011**  
LAMINATE WHITE B011  
LAMINÉ BLANC



**LAMINATINO CILIEGIO LG69**  
LAMINATE CHERRY LG69  
LAMINÉ CERISIER LG69



**LAMINATINO FRASSINO B073**  
LAMINATE ASH B073  
LAMINÉ CENDRE B073



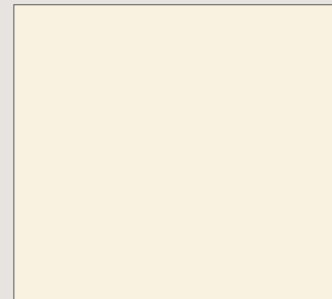
**LAMINATINO NOCE 840**  
LAMINATE WALNUT 840  
LAMINÉ NOYER 840



**LAMINATINO NOCE LD57**  
LAMINATE WALNUT LD57  
LAMINÉ NOYER LD57



**LAMINATINO PANNA B003**  
LAMINATE CREAM B003  
LAMINÉ CRÈME B003



**LAMINATINO ROVERE LG23**  
LAMINATE OAK LG23  
LAMINÉ CHENE LG23



**LAM. LARICE GRIGIO 1105**  
LAMINATE GREY LARCH 1105  
LAMINÉ MÈLÈZE GRIS 1105



**LAM. MATRIX BIANCO B011**  
LAMINATE MATRIX WHITE B011  
LAMINÉ MATRIX BLANC B011



**LAM. PALISSANDRO BIANCO**  
LAMINATE ROSEWOOD WHITE  
LAMINÉ PALISSANDRE BLANC



**LAM. PALISSANDRO GRIGIO**  
LAMINATE ROSEWOOD GREY  
LAMINÉ PALISSANDRE GRIS



**LAMINATINO GRANO LM36**  
LAMINATE WHEAT LM36  
LAMINÉ BLÉ LM36



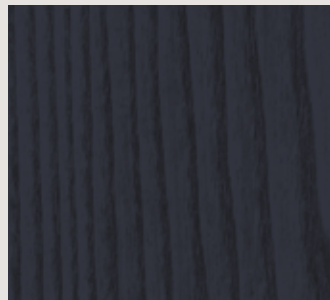
**FRASSINO FIN. CAPPUCCINO**  
ASH FINISH CAPPUCCINO  
CENDRE FINITION CAPUCCINO



**FRASSINO FIN. MOKA**  
ASH FINISH MOKA  
CENDRE FINITION MOKA



**FRASSINO FIN. GRIGIO**  
ASH FINISH GREY  
CENDRE FINITION GRIS



## FINITURE "INVISIBILE"

"INVISIBLE" FINISHES / FINITIONS "INVISIBLE"

**ROVERE FIN. ROVERE NATURALE**  
OAK FINISH NATURAL OAK  
CHÈNE FINITION CHENE NATUREL



**ROVERE FIN. ROVERE SBIANCATO**  
OAK FINISH WHITENED OAK  
CHÈNE FINITION CHENE DÉCAPÉ



**ROVERE FIN. MOKA**  
OAK FINISH MOKA  
CHÈNE FINITION MOKA



**ROVERE FIN. GRIGIO**  
OAK FINISH GREY  
CHÈNE FINITION GRIS



**NOCE NAZIONALE FIN. NOCE**  
NATIONAL WALNUT FIN. WALNUT  
NOYER NATIONAL FINITION NOYER



**TANGANIKI FIN. NATURALE**  
TANGANIKI FIN. NATURAL  
TANGANIKI FINITION NATUREL



**TANGANIKI FIN. CILIEGIO**  
TANGANIKI FINISH CHERRY  
TANGANIKI FINITION CERISIER



**TANGANIKI FIN. SCURO**  
TANGANIKI FINISH DARK  
TANGANIKI FINITION SOMBRE



**CORDA**  
CORDA  
CORDA



**DAKOTA**  
DAKOTA  
DAKOTA



**NORDIC**  
NORDIC  
NORDIC



**SMOKE**  
SMOKE  
SMOKE



**FRASSINO DECAPÈ BIANCO**  
ASH DECAPÉ WHITE  
CENDRE DECAPÉ BLANC



**FRASSINO DECAPÈ GRIGIO**  
ASH DECAPÉ GREY  
CENDRE DECAPÉ GRIS



**FRASSINO DECAPÈ TORTORA**  
ASH DECAPÉ DOVE-GREY  
CENDRE DECAPÉ TOURTERELLE



**RAL**  
RAL  
RAL





/  
SOLUZIONI DI APERTURA  
OPENING SOLUTIONS  
SOLUTIONS D'OUVERTURE

SOBRIA ELEGANZA E  
FONDAMENTALE PRATICITÀ.  
SOLUZIONI PER OGNI  
ESIGENZA.

//

UNDERSTATED ELEGANCE  
AND PRACTICALITY,  
SOLUTIONS FOR  
EVERY NEED.

//

ÉLÉGANCE DISCRÈTE ET  
PRATIQUE FONDAMENTALE.  
DES SOLUTIONS POUR  
CHAQUE BESOIN.



**M3-1302**

SCORREVOLE IN LUCE 2 ANTE PARALLELE / DOUBLE SLIDING POCKET DOOR / PORTE COULISSANTE NET PASSAGE 2/A PARALLÈLE  
LAM. BIANCO / WHITE LAMINATE / LAMINÉ BLANC B011

**M3-1000**

SCORREVOLE INTERNO MURO / INTERNAL SLIDING DOOR / COULISSANTE INTERNE MUR  
LAM. BIANCO / WHITE LAMINATE / LAMINÉ BLANC B011



/  
**M3-1000**

SCORREVOLE ESTERNO MURO TIPO "A" / EXTERNAL SLIDING "A" VERSION / EXTERNE MUR VERSION "A"  
LAM. BIANCO / WHITE LAMINATE / LAMINÉ BLANC B011



/  
**M3-1000**

PORTA A LIBRO 1/3 + 2/3 - FOLDING DOOR 1/3 + 2/3 - PORTE PLIANT 1/3 + 2/3  
LAMINATO GRANO IM36 / LAMINATE WHEAT IM36 / LAMINÉ BLÉ IM36





/  
**M3-6000**

ROTOTRASLANTE / PIVOT DOOR / PORTE PIVOTANTE-COULISSANTE  
LACCATO RAL / RAL LAQUERED / RAL LAQUÉ



/  
**M3-6000**

PORTA A LIBRO / FOLDING DOOR / PORTE PLIANT  
LAM. BIANCO / WHITE LAMINATE / LAMINÉ BLANC B011



/  
I VETRI  
THE GLASSES  
LES VERRES



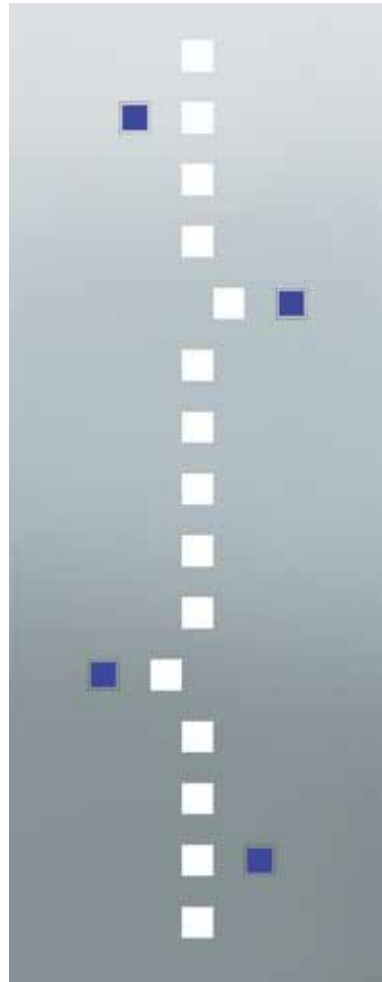
**VETRI**

GLASSES / VERRES

**VETRI**

GLASSES / VERRES

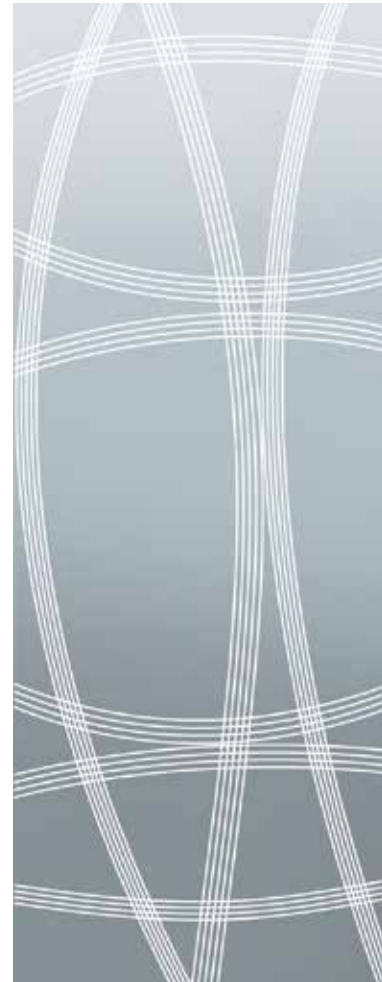
M3-01



M3-02



M3-04



M3-05



M3-06



M3-07





**VETRI**

GLASSES / VERRES

**VETRI**

GLASSES / VERRES

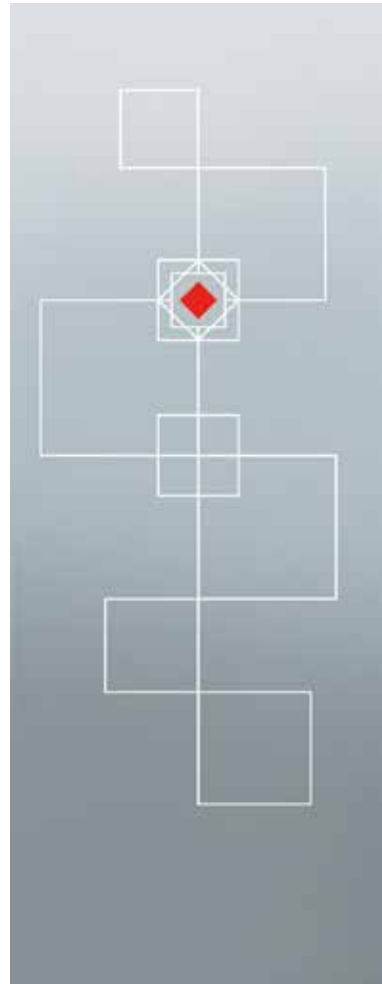
**M3-08**



**M3-09**



**M3-10**



**M3-03**



**S-305**



**S-401**



**VETRI**

GLASSES / VERRES

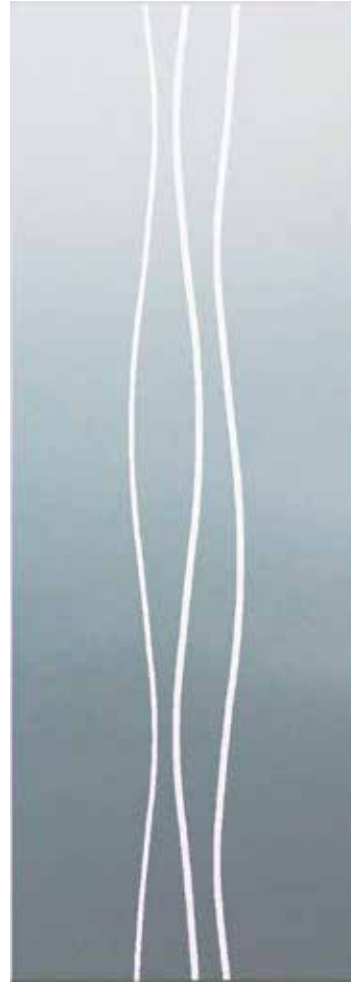
**VETRI**

GLASSES / VERRES

**S-403**



**SR-001**



**SF-103**



**SR-008**



**SR-righe**  
SR-lines  
SR-lignes



**Satinato bianco**  
Satin white  
Blanc satiné



**VETRI**

GLASSES / VERRES

**VETRI**

GLASSES / VERRES

**D014**



**D015**



**D087**



**D020**



**D163**





/  
MANIGLIE  
HANDLES  
POIGNÉES



**/  
MANIGLIE**  
HANDLES / POIGNÉES

**/  
MANIGLIE**  
HANDLES / POIGNÉES

**MANIGLIE CON ROSETTE QUADRE**  
HANDLES WITH SQUARED ROSETTES  
POIGNÉES AVEC ROSETTES CARÉE

**MANIGLIA IXI**  
IXI HANDLE  
POIGNÉ IXI



**MANIGLIA ACAPULCO**  
ACAPULCO HANDLE  
POIGNÉ ACAPULCO



**MANIGLIA B-LINE**  
B-LINE HANDLE  
POIGNÉ B-LINE



**MANIGLIA Q-PLUS**  
Q-PLUS HANDLE  
POIGNÉ Q-PLUS



**MANIGLIA SPRING**  
SPRING HANDLE  
POIGNÉ SPRING



**MANIGLIA ATENE**  
ATENE HANDLE  
POIGNÉ ATENE



**MANIGLIA B-MINI**  
B-MINI HANDLE  
POIGNÉ B-MINI



**MANIGLIA Q-LINE**  
Q-LINE HANDLE  
POIGNÉ Q-LINE



**MANIGLIA Q-MINI**  
Q-MINI HANDLE  
POIGNÉ Q-MINI



**MANIGLIA GENEVE**  
GENEVE HANDLE  
POIGNÉ GENEVE



**/  
MANIGLIE**  
HANDLES / POIGNÉES

**/  
MANIGLIE**  
HANDLES / POIGNÉES

**MANIGLIE CON ROSETTE TONDE**  
HANDLES WITH ROUNDED ROSETTES  
POIGNÉES AVEC ROSETTES RONDE

**MANIGLIA HAITI**  
HAITI HANDLE  
POIGNÉ HAITI



**MANIGLIA ALISÈ**  
ALISÈ HANDLE  
POIGNÉ ALISÈ



**MANIGLIA ARJA**  
ARJA HANDLE  
POIGNÉ ARJA



**MANIGLIA SASHA**  
SASHA HANDLE  
POIGNÉ SASHA



**MANIGLIA OSLO**  
OSLO HANDLE  
POIGNÉ OSLO



**MANIGLIA SABINA**  
SABINA HANDLE  
POIGNÉ SABINA



**MANIGLIONI**  
BARS  
BARRES

**MANIGLIONE FRANFRUT**  
FRANFRUT BAR  
BARRE FRANFRUT



**MANIGLIONE TORONTO**  
TORONTO BAR  
BARRE TORONTO





**project & graphic design**

[www.lithos.it](http://www.lithos.it)

**3d rendered images**

[www.linkfoto.it](http://www.linkfoto.it)

**print**

grafiche Italprint

edition 2017

**MOBIL3**

**MOBIL3 S.R.L.**

Via G. Galilei, 3

30020 Torre di Mosto, VE, ITALY

T. +39 0421 461833 - F. +39 0421 314207

[info@mobil3srl.com](mailto:info@mobil3srl.com)

[www.mobil3srl.com](http://www.mobil3srl.com)

TUTTI I DIRITTI DI RIPRODUZIONE E  
RIELABORAZIONE SONO RISERVATI.

MOBIL3 SRL SI RISERVA DI APPORTARE  
MODIFICHE, ANCHE SENZA PREAV-  
VISO ED IN QUALSIASI MOMENTO,  
ALLE CARATTERISTICHE DEI PRODOTTI  
RIPORTATI NEL PRESENTE CATALOGO.

I COLORI DELLE PORTE RIPRODOTTE  
NEL PRESENTE CATALOGO SONO  
PURAMENTE INDICATIVI.

All rights reserved, reproduction  
and re-arrangement.

Mobil3 Ltd reserves the right to make  
changes to the characteristics of the  
products listed in this catalogue, even  
without notice at any time.

The color of the door shown in this  
catalog are purely indicative.



**MOBIL3 S.R.L.**

Via G. Galilei, 3

30020 Torre di Mosto, VE, ITALY

T. +39 0421 461833 - F. +39 0421 314207

[www.mobil3srl.com](http://www.mobil3srl.com) - [info@mobil3srl.com](mailto:info@mobil3srl.com)